

**CyberDome II** updates the best-selling integrated PTZ camera from GE Security with enhanced features. The dome works with multiple vendor systems and can easily be installed in existing systems. Available housings are more durable and permit installation of the dome in a range of applications. Choose from compatible camera modules that include day/night and wide dynamic range functionality.

Four cameras - a color 22x, day/night 18x, day/night 23x with wide dynamic range and day/night 26x - offer several options for different environments. The WDR option is ideal for use in high contrast lighting conditions. Digital zoom extends the range of the cameras beyond standard optical zoom lenses.

Mount the cameras in indoor or outdoor housings that can hold up in a variety of environmental conditions. Standard outdoor housings have an IP66 environmental rating and operate to -40°F/C with the optional heater.

A special day/night light sensor in the dome controls day/night mode and has multiple thresholds. With a choice to use either the external sensor or the camera sensor, users can take advantage of the choice to select the one that provides best settings for a camera's position. An auto slow shutter feature on the day/night cameras slows down

shutter speed for better images in dark areas.

CyberDome II allows the user to preset up to 128 positions, repeatable to within  $\pm 0.1$  degree. Set areas, privacy masks, and preset and Shadow Tours for maximum surveillance.

Variable speed pan/tilt lets users move the camera through surveillance areas at any of 32 speeds, with a maximum pan/tilt of 400 degrees per second.

The Quick Spin feature lets the camera spin automatically when the bottom of tilt travel is reached. Track motion directly under a camera without losing the picture.

Set specific operations when the camera is powered on or when no external command is received in a defined period of time. Operations include calling a preset position or initiating a preset tour or a Shadow Tour.

## Features

- Comprehensive programming choices with advanced options to meet almost any application
- 128 preset positions, 4 preset tours, and 4 Shadow Tours
- Control day/night settings through the camera module or a unit sensor to get best results
- Choose from many options in camera module, housing and accessories
- Quick Spin feature spins camera 180 degrees automatically when bottom of tilt travel is reached
- Variable speed pan/tilt
- Site-tied memory allows camera replacement without reprogramming

# CyberDome II

integrated PTZ dome camera



## CyberDome II Options

### Available housings:

- Flush mount ceiling
- Plenum-rated flush mount
- Pendant mount
- Pendant mount with heater
- Wall mount
- Wall mount with heater
- Heavy duty
- Heavy duty with heater
- Rugged pendant
- Rugged pendant with heater

### Available bubbles:

- Clear acrylic
- Smoke acrylic
- Chrome mirrored acrylic
- Gold mirrored acrylic
- Clear polycarbonate (HD, rugged)
- Smoke polycarbonate (HD, rugged)

### Available cameras (NTSC or PAL):

- 22x color camera
- 18x day/night camera
- 23x day/night camera with WDR
- 26x day/night camera

## General Specifications

- Manual pan speed: 0.5 to 200°/sec
- Manual tilt speed: 0.5 to 120°/sec
- Max. pan/tilt speed: 400°/sec
- Presets: 128 with 24-character title
- Shadow tours: 4 with 4 min. each
- Protocols: Digiplex RS422, Impac RS485, ASCII RS422, Pelco D, Pelco P, Ultrak
- Operating temperature, without heater: 32 to 122°F (0 to 50°C)
- Operating temperature, with heater: -40 to 122°F (-40 to 50°C)
- Regulatory: FCC, CE, C-Tick, UL, RoHS

## Bubble Specifications

Choose from four different acrylic bubbles or two polycarbonate bubbles, based on how you wish to balance discreet camera position and available light. Polycarbonate bubbles work with heavy duty and rugged pendant housings only.

Bubble	Light loss
Clear acrylic	none
Smoke acrylic	1/2 f-stop
Chrome mirrored acrylic	2 f-stop
Gold mirrored acrylic	2 f-stop
Clear polycarbonate	none
Smoke polycarbonate	1/2 f-stop

## Flush mount ceiling housing and plenum-rated flush mount housing

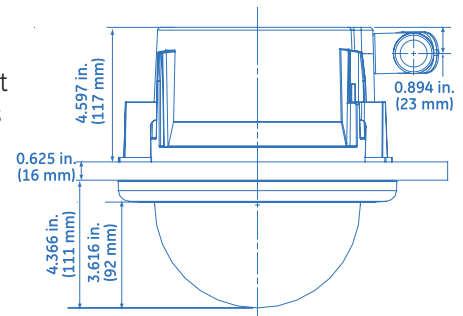
The indoor flush-mount housing is designed for in-ceiling applications. A T-bar support kit is included. A flush-mount housing for plenum-rated applications is also available.

### Electrical

- Operating voltage: 24 VAC +/- 4 VAC
- Power: 25 VA startup; 20 VA running

### Mechanical

- Environmental enclosure: Rated IP50
- Dimensions: 9.5 in. dia. x 9.6 in. high (241 x 243 mm)
- Weight (housing, PTZ): 6 lb., 8.5 oz. (2.96 kg)
- Construction: ABS plastic
- Color: Gray



## Pendant mount housing and pendant mount housing with heater

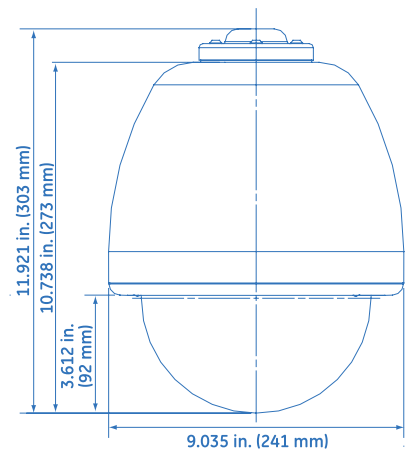
The weatherproof pendant-mount housing can be used for indoor or outdoor applications. Both the pendant mount and pendant mount with heater and fan are rated IP66. With the heater option, the housing can be used in temperatures to -40°F (-40°C).

### Electrical

- Operating voltage: 24 VAC +/- 4 VAC
- Power: 25 VA startup; 20 VA running
- Power, with heater: 93 VA startup; 45 VA running

### Mechanical

- Environmental enclosure: Rated IP66
- Dimensions: 9.5 in. dia. x 11.9 in. high (241 x 303 mm)
- Weight (housing, htr/fan, PTZ): 6 lb., 8.5 oz. (2.96 kg)
- Construction: ABS plastic
- Color: Gray



## Wall mount housing and wall mount housing with heater

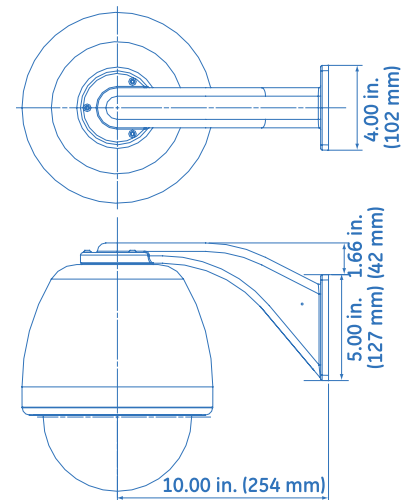
The weatherproof wall-mount housing can be used for indoor or outdoor applications. The wall arm is constructed of cast aluminum. Both the wall mount and wall mount with heater and fan are rated IP66. With the heater/fan option, the housing can be used in temperatures to -40°F (-40°C).

### Electrical

- Operating voltage: 24 VAC +/- 4 VAC
- Power: 25 VA startup; 20 VA running
- Power, with heater: 93 VA startup; 45 VA running

### Mechanical

- Environmental enclosure: Rated IP66
- Dimensions: 9.5 in. dia. x 9.6 in. high (241 x 243 mm)
- Weight (housing, htr/fan, PTZ): 8 lb., 8.5 oz. (3.87 kg)
- Construction: ABS plastic
- Color: Gray



## Heavy duty housing and heavy duty housing with heater

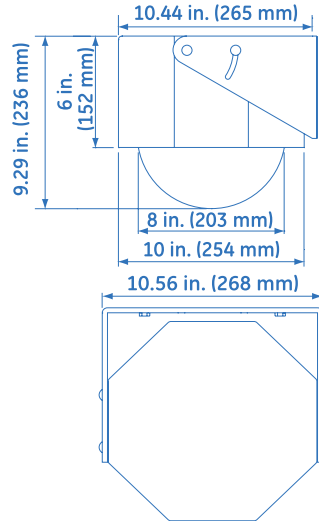
The weatherproof heavy duty housing is designed to hold up under tough outdoor use. Both the heavy duty and heavy duty with heater and fan come with adjustable wall mount brackets. With the heater/fan option, the housing can be used in temperatures to  $-13^{\circ}\text{F}$  ( $-25^{\circ}\text{C}$ ).

### Electrical

- Operating voltage: 24 VAC +/- 4 VAC
- Power: 25 VA startup; 20 VA running
- Power, with heater: 153 VA startup; 66 VA running

### Mechanical

- Dimensions: 10.56 in. wide x 9.29 in. high (268 x 236 mm)
- Weight (housing, htr/fan, PTZ): 13 lb., 8 oz. (6.12 kg)
- Construction: Cast aluminum
- Color: Gray



## Rugged pendant housing and rugged pendant housing with heater

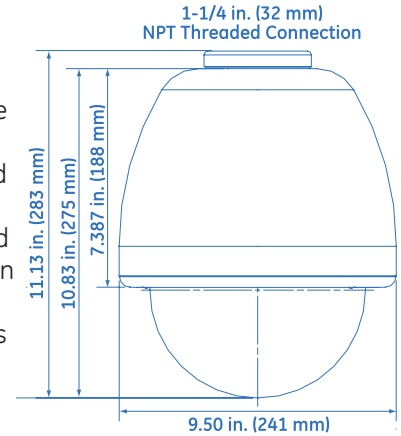
The weatherproof rugged pendant housing is for outdoor applications that require tamper resistance. Both the rugged pendant and rugged pendant with heater and fan are rated IP66. With the heater/fan option, the housing can be used in temperatures to  $-40^{\circ}\text{F}$  ( $-40^{\circ}\text{C}$ ).

### Electrical

- Operating voltage: 24 VAC +/- 4 VAC
- Power: 25 VA startup; 20 VA running
- Power, with heater: 153 VA startup; 66 VA running

### Mechanical

- Environmental enclosure: Rated IP66
- Dimensions: 9.5 in. dia. x 11.1 in. high (241 x 283 mm)
- Weight (housing, heater/fan, and PTZ): 12 lb., 8.5 oz. (5.68 kg)
- Construction: Cast aluminum
- Color: Gray



## Camera Specifications

### Camera: 22x color

- Image sensor: 1/4 in. CCD
- Zoom: Optical 22x
- Resolution: 470 TVL NTSC; 460 TVL PAL
- Synchronization: Internal/external
- Lens: F=4 mm (wide) to 64 mm (tele); F1.6
- Angle of view (H):  $47.3^{\circ}$  (wide) to  $2.2^{\circ}$  (tele)
- Sensitivity: 3 lux
- Electronic shutter speed: 1/60 to 1/30,000 sec, NTSC; 1/50 to 1/30,000 sec, PAL
- Video output: 1.0 V p-p

### Camera: 18x day/night

- Image sensor: 1/4 in. CCD
- Zoom: Optical 18x, digital 12x
- Resolution: 470 TVL NTSC; 460 TVL PAL
- Synchronization: Internal/external (V-Lock)
- Lens: F=4.1 mm (wide) to 73.8 mm (tele); F1.4 to F3.0
- Angle of view (H):  $48^{\circ}$  (wide) to  $2.8^{\circ}$  (tele)
- Sensitivity: 0.7 lux at 1/60 sec NTSC or 1/50 sec PAL; 0.05 lux at 1/4 sec NTSC or 1/3 sec PAL

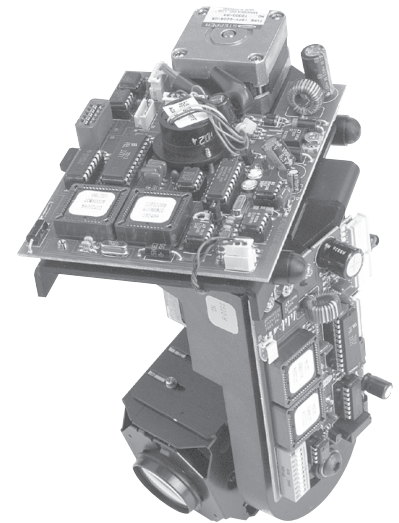
- Electronic shutter speed: 1/1 to 1/10,000 sec, 14 steps, NTSC; 1/1 to 1/10,000 sec, 14 steps, PAL
- Video output: 1.0 V p-p

### Camera: 23x day/night w/ WDR

- Image sensor: 1/4 in. CCD
- Zoom: Optical 23x, digital 10x
- Resolution: 470 TVL NTSC; 460 TVL PAL
- Synchronization: Internal/line lock
- Lens: F=3.6 mm (wide) to 82.8 mm (tele); F1.6 to F3.7
- Angle of view (H):  $54^{\circ}$  (wide) to  $2.5^{\circ}$  (tele)
- Sensitivity: 0.2 lux at 1/4 sec NTSC or 1/3 sec PAL
- Sensitivity, ICR-on: 3 lux at 1/60 sec NTSC or 1/50 sec PAL; 0.2 lux at 1/4 sec NTSC or 1/3 sec PAL
- Electronic shutter speed: 1/60 to 1/4 ksec, NTSC; 1/50 to 1/4 ksec, PAL
- Video output: 1.0 V p-p

### Camera: 26x day/night

- Image sensor: 1/4 in. CCD
- Zoom: Optical 26x, digital 12x
- Resolution: 470 TVL NTSC; 460 TVL PAL
- Synchronization: Internal/line lock
- Lens: F=3.5 mm (wide) to 91 mm (tele); F1.6 to F3.8



- Angle of view (H):  $54.2^{\circ}$  (wide) to  $2.2^{\circ}$  (tele)
- Sensitivity: 1.0 lux at 1/60 sec NTSC or 1/50 sec PAL; 0.07 lux at 1/4 sec NTSC or 1/3 sec PAL
- Sensitivity, ICR-on: 0.15 lux at 1/60 sec NTSC or 1/50 sec PAL; 0.01 lux at 1/4 sec NTSC or 1/3 sec PAL
- Electronic shutter speed: 1/1 to 1/10,000 sec, 14 steps, NTSC; 1/1 to 1/10,000 sec, 14 steps, PAL
- Video output: 1.0 V p-p



Americas  
 503-885-5700  
 888-GE-SECURITY  
 (437-3287)  
 info@gesecurity.com  
 www.gesecurity.com

Asia  
 tel 852-2907-8108  
 fax 852-2142-5063

Australia  
 tel 61-3-9259-4700  
 fax 61-3-9259-4799

Europe  
 tel 32-2-725-11-20  
 fax 32-2-721-86-13

Latin America  
 tel 305-593-4301  
 fax 305-267-4300

## Accessories

### GEA-102 Cast-aluminum wall-mount arm

- Weight: 2.0 lb. (0.91 kg)
- Material: Aluminum
- Finish: Gray



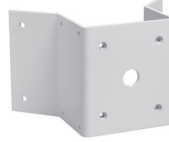
### GEA-104 Parapet swing-arm mount

- Weight: 7.75 lb. (3.52 kg)
- Material: Aluminum
- Finish: Gray powder coat



### GEA-105 Corner-mount adapter

- Weight: 1.9 lb. (0.86 kg)
- Material: Aluminum
- Finish: Gray powder coat



### GEA-106 Pole-mount adapter

- Weight: 14.4 oz. (408 g)
- Material: Aluminum
- Finish: Gray powder coat

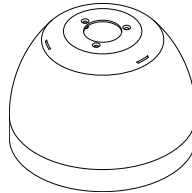


### GEA-107 Roof-mount adapter

- Weight: 1.2 lb. (0.54 kg)
- Material: Aluminum
- Finish: Gray powder coat



- ### 1056208A Sunshield
- Dimensions: 10.75 in. (273 mm) dia. x 7.51 in. (191 mm) H
  - Material: ABS plastic
  - Finish: Gray powder coat



- ### GEA-113 Ceiling panel
- Weight: 3.2 oz. (91 g)
  - Material: Steel
  - Finish: White enamel



- ### GEA-114 T-bar support kit
- Weight: 6.4 oz. (181 g)
  - Material: Steel
  - Finish: Galvanized



- ### Parapet-capping brackets
- Material: 0.25 in. aluminum
  - Finish: Gray powder coat

- #### GEA-108: Corner, narrow
- 6 to 12 in. (152 to 305 mm)
  - Weight: 7 lb. (3.18 kg)



- #### GEA-109: Corner, wide
- 12 to 17 in. (305 to 432 mm)
  - Weight: 8 lb. (3.63 kg)

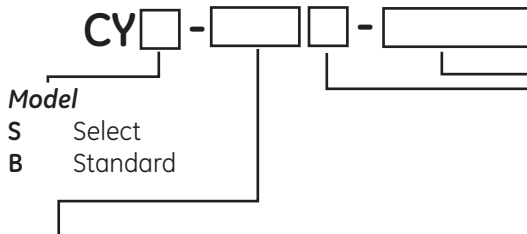


- #### GEA-110: Straight, narrow
- 6 to 12 in. (152 to 305 mm)
  - Weight: 14 lb. (6.4 kg)



- #### GEA-111: Straight, wide
- 12 to 17 in. (305 to 432 mm)
  - Weight: 15 lb. (6.8 kg)

## CyberDome II ordering guide



- Model**
- S** Select
  - B** Standard

- Housing**
- F** Flush mount
  - FP** Plenum rated flush mount
  - H** Pendant mount
  - HE** Pendant mount with heater and fan
  - C** Wall mount
  - CE** Wall mount with heater and fan
  - D** Heavy duty
  - DE** Heavy duty with heater and fan
  - R** Rugged pendant
  - RE** Rugged pendant with heater and fan

### Dome Bubble

- 3** Clear acrylic
- 4** Smoke acrylic
- 6** Chrome mirrored acrylic
- 7** Gold mirrored acrylic
- 8** Clear polycarbonate†
- 9** Smoke polycarbonate†

†Available for F, FP, D, DE, R, and RE housing options

### PTZ Camera Assembly

- C22N** 22x select color camera, NTSC
- C18P** 22x select color camera, PAL
- D18N** 18X day/night camera, NTSC
- D18P** 18X day/night camera, PAL
- D23N** 23X day/night camera, NTSC
- D23P** 23X day/night camera, PAL
- D26N** 26X day/night camera, NTSC
- D26P** 26X day/night camera, PAL